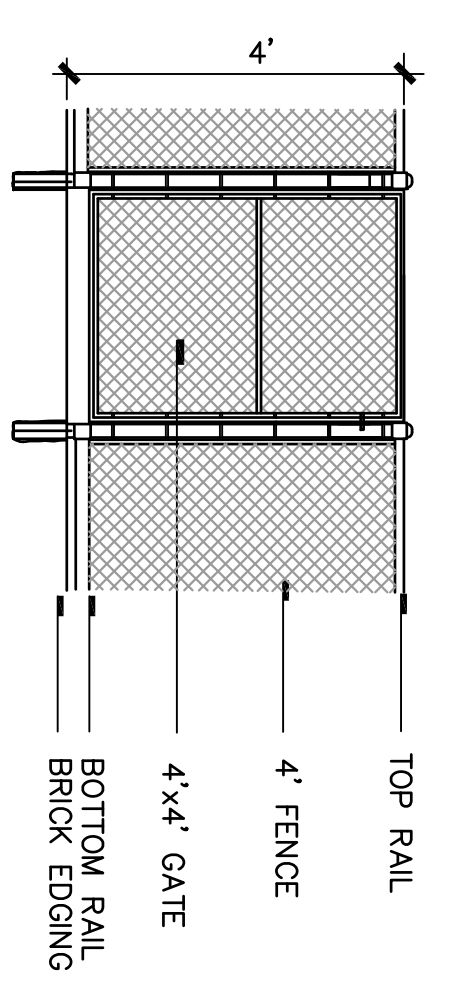
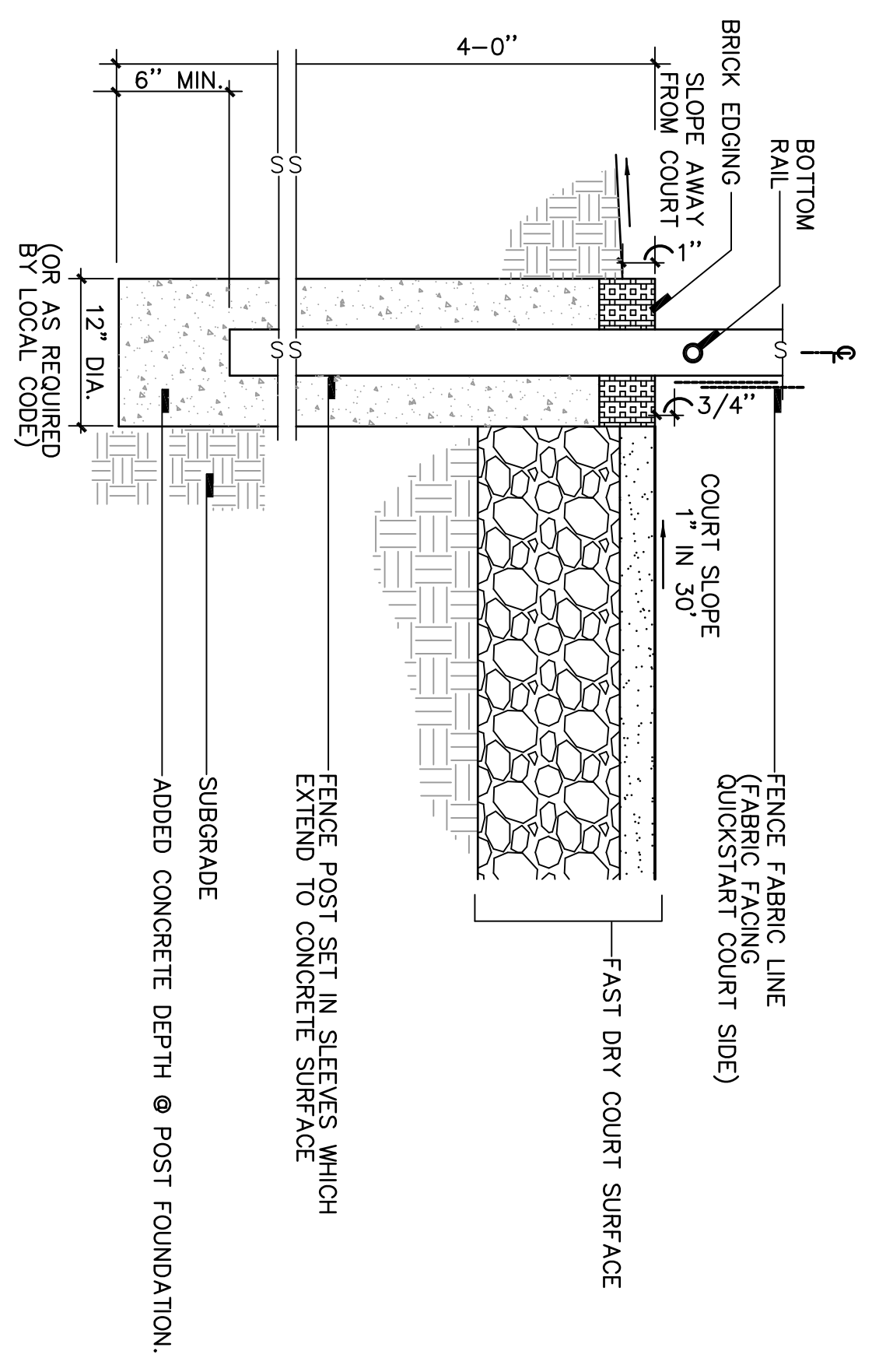


- NOTES:
1. ALL 36 FOOT COURT PLAYING LINES SHALL BE 2" WIDE.
  2. ALL 36 FOOT COURT LINES SHALL BE MEASURED TO THE OUTSIDE EDGE OF THE LINES, WITH THE EXCEPTION OF THE CENTER LINES WHICH SHALL BE MEASURED OUT TO CENTER.
  3. NET POSITIONS SHALL BE SET 22 FEET APART, MEASURED FROM THE CENTER OF EACH POST.
  4. GATE POSITIONS SHALL BE SET 22 FEET APART, MEASURED FROM THE CENTER OF EACH POST.
  5. GATE POSITIONS SHALL BE SET 22 FEET APART, MEASURED FROM THE CENTER OF EACH POST.
  6. GATE POSITIONS SHALL BE SET 22 FEET APART, MEASURED FROM THE CENTER OF EACH POST.
  7. GATE POSITIONS SHALL BE SET 22 FEET APART, MEASURED FROM THE CENTER OF EACH POST.
  8. GATE POSITIONS SHALL BE SET 22 FEET APART, MEASURED FROM THE CENTER OF EACH POST.
  9. GATE POSITIONS SHALL BE SET 22 FEET APART, MEASURED FROM THE CENTER OF EACH POST.
  10. GATE POSITIONS SHALL BE SET 22 FEET APART, MEASURED FROM THE CENTER OF EACH POST.

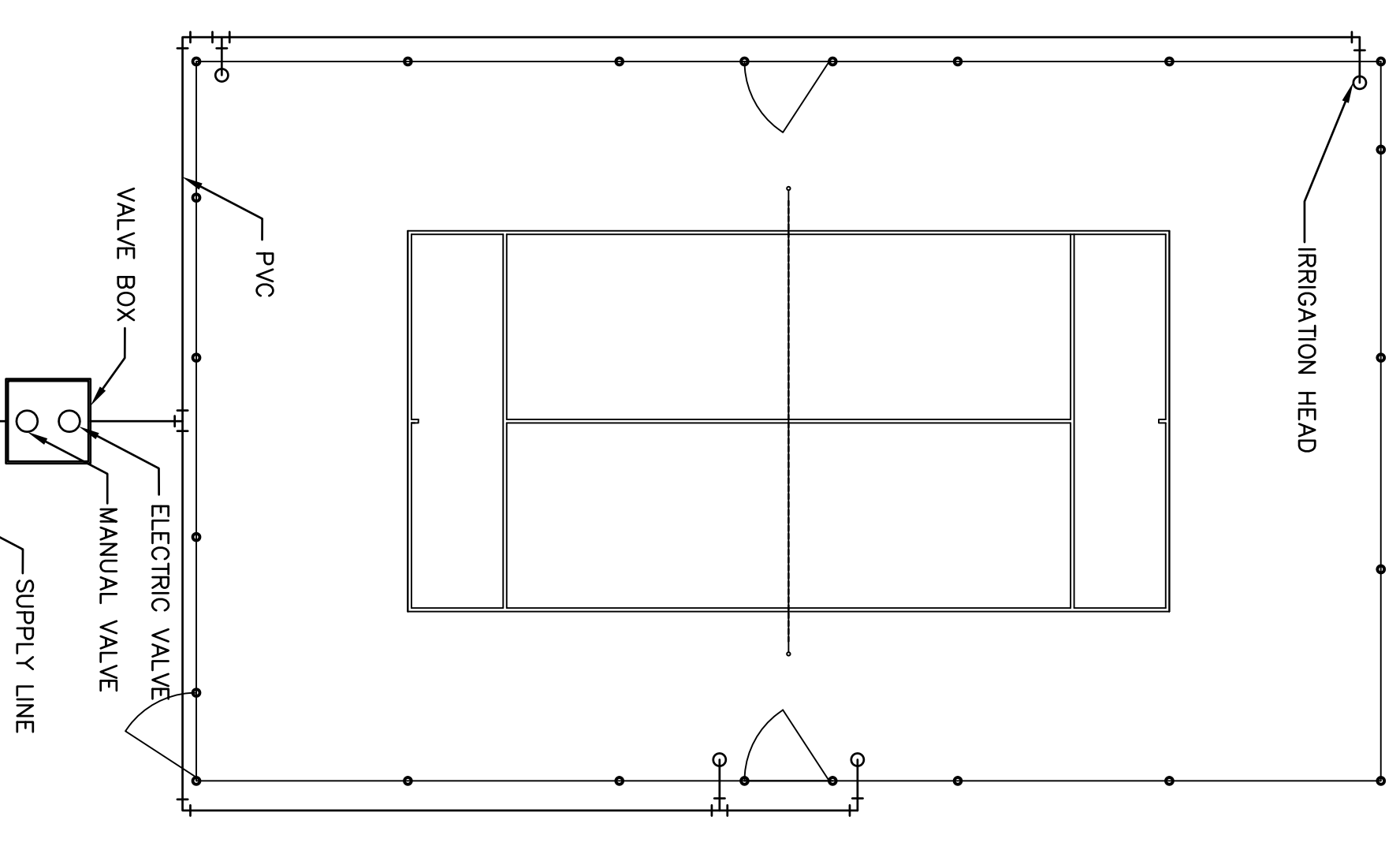
1 36 FOOT QUICKSTART COURT LINE LAYOUT  
T-7 NOT TO SCALE



5 TYPICAL ELEVATION - PLAYER ENTRANCE GATE  
T-7 (INTO 36 FOOT QUICKSTART COURTS)  
NOT TO SCALE

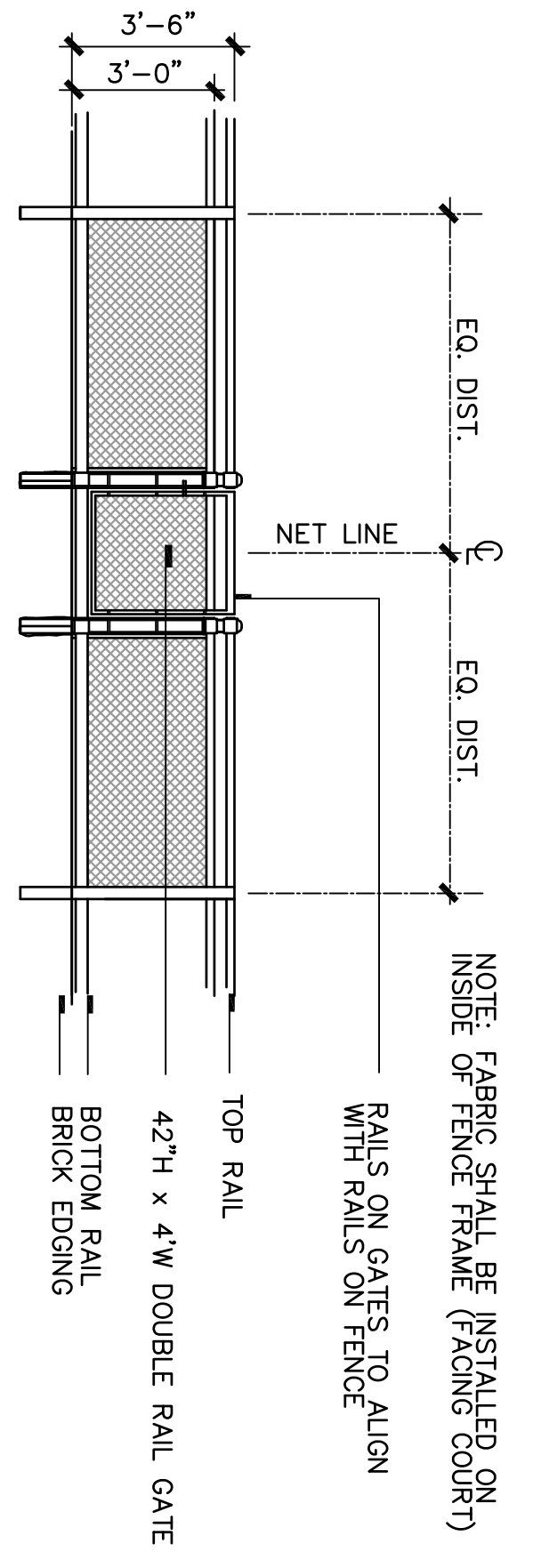


8 SECTION - CONCRETE FENCE POST FOUNDATION  
T-7 NOT TO SCALE

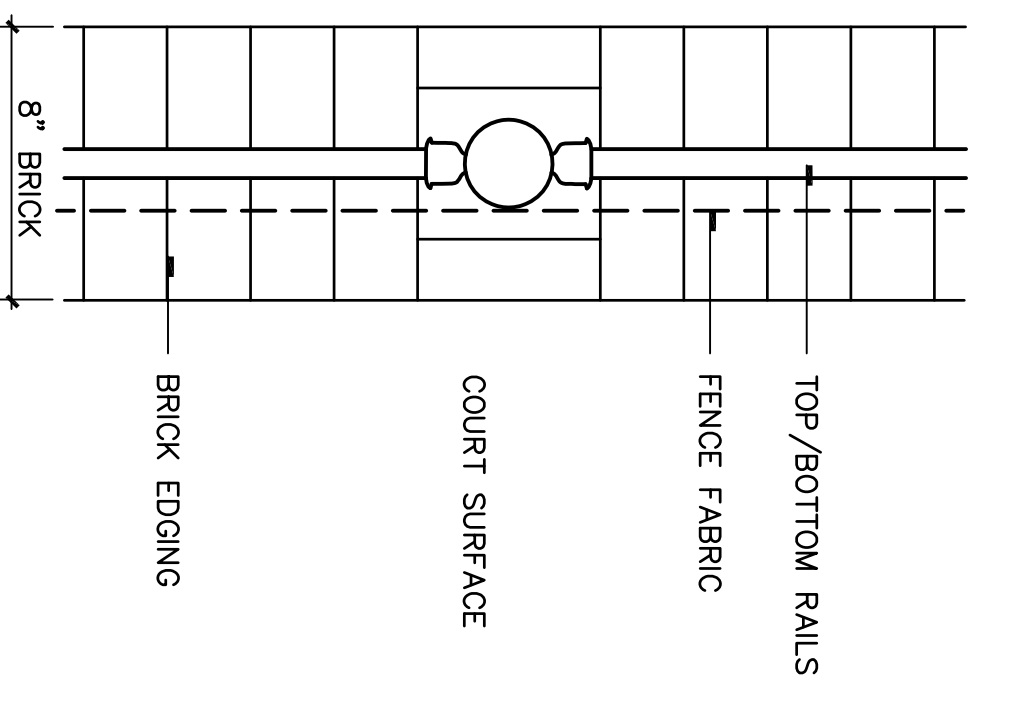


- NOTES:
1. PVC PIPE SHOULD BE SET IN STONE SCREENINGS TO PROTECT FROM LARGE ROCKS.
  2. IN FROST AREAS, PIPES SHOULD BE BURIED BELOW THE FROST WATER.
  3. LOCATION AND NUMBER OF IRRIGATION HEADS WILL DEPEND ON AVAILABLE WATER FLOW AND PRESSURE.

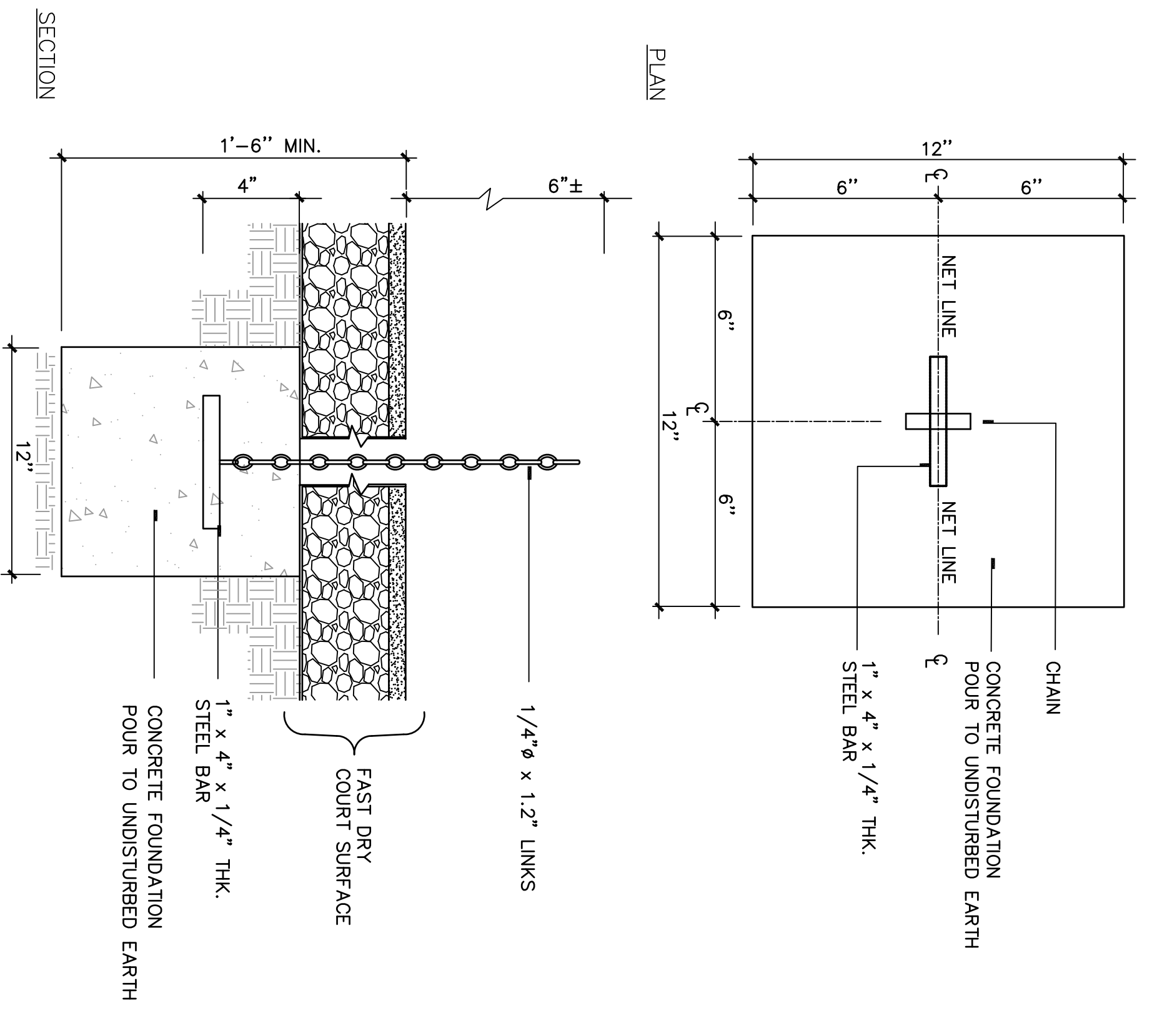
2 36 FOOT QUICKSTART IRRIGATION PLAN  
T-7 NOT TO SCALE



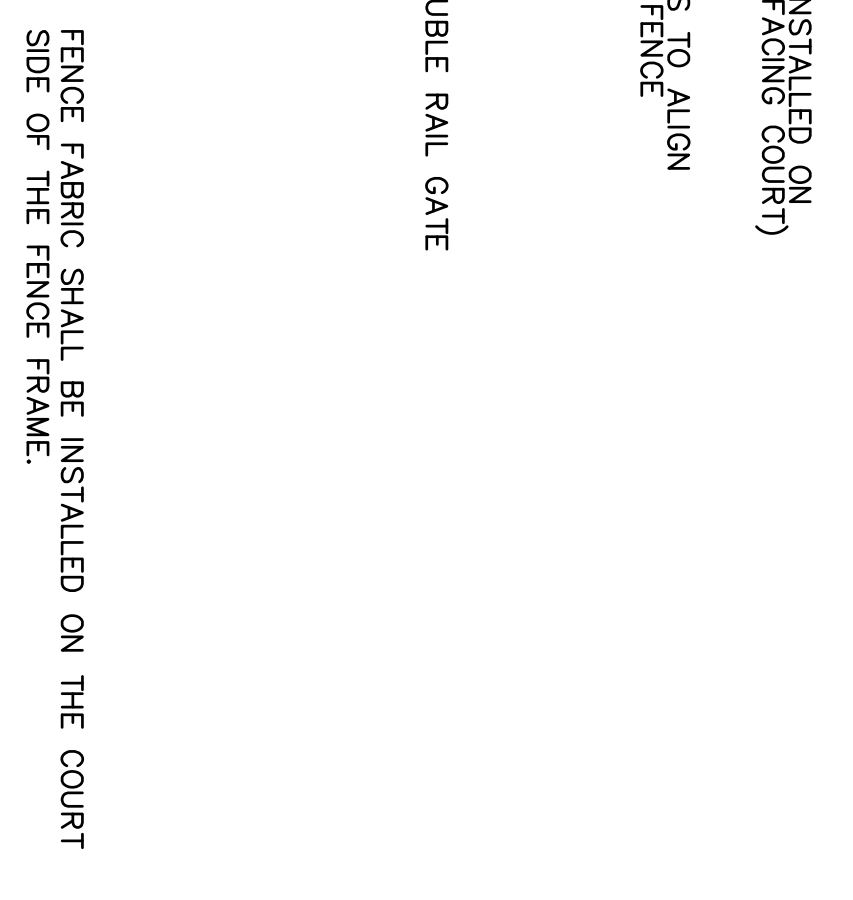
6 ELEVATION - 42" HIGH FENCE - GATE  
T-7 NOT TO SCALE



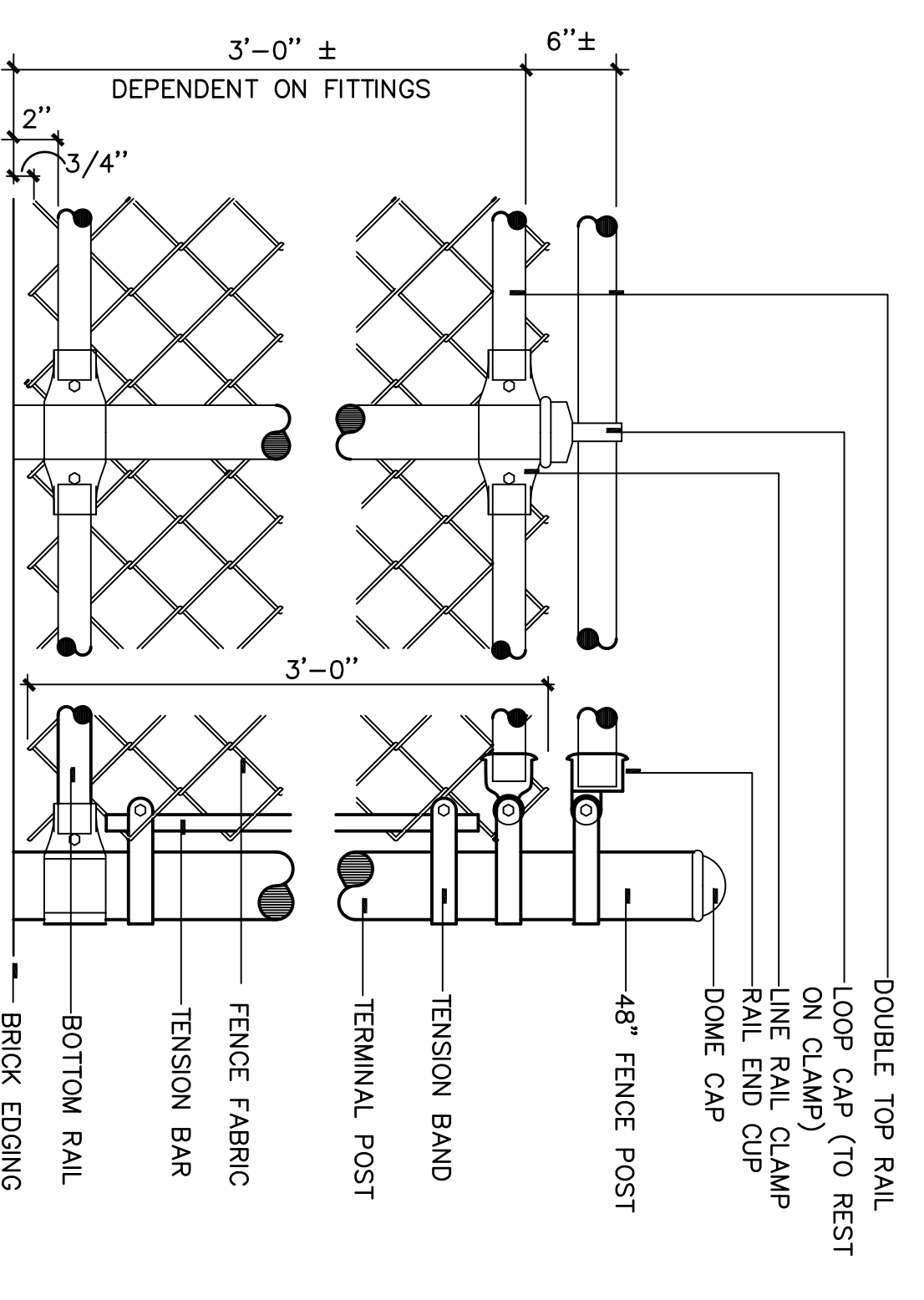
9 PLAN - BRICK EDGING DETAIL  
T-7 NOT TO SCALE



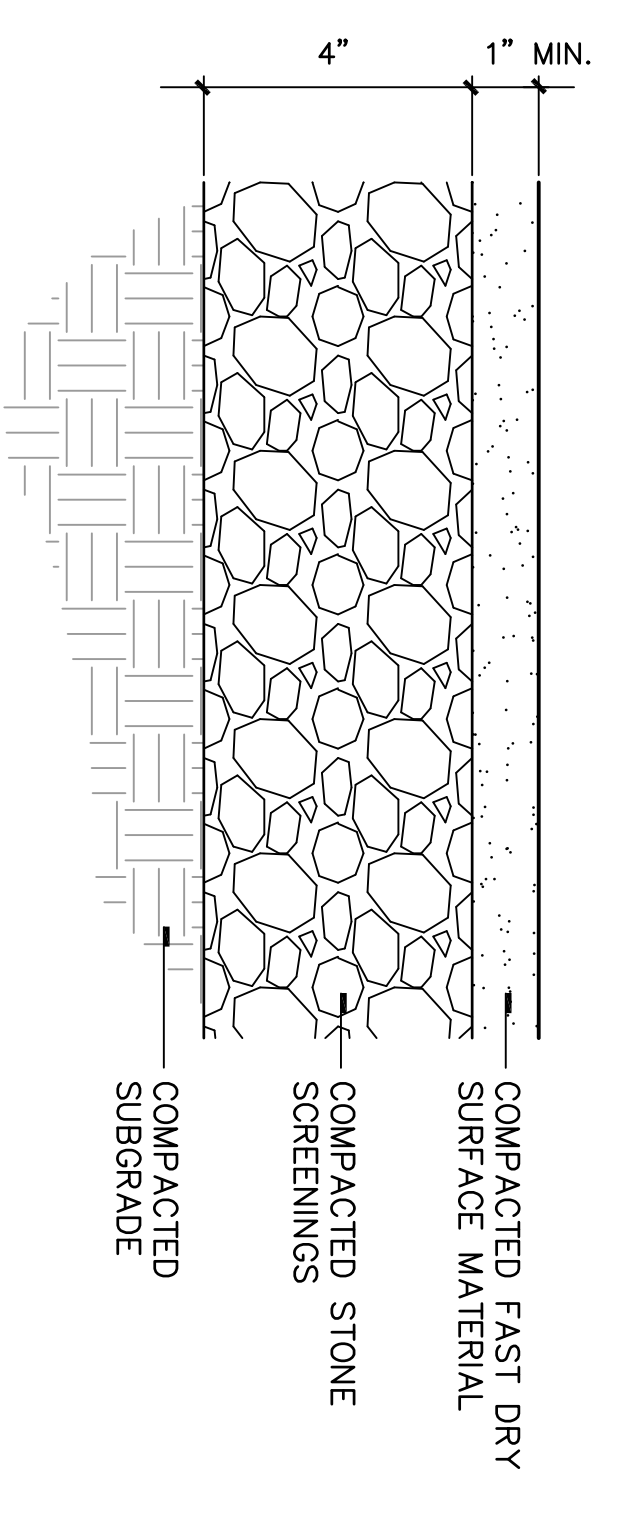
3 CENTER STRAP ANCHOR DETAIL  
T-7 NOT TO SCALE



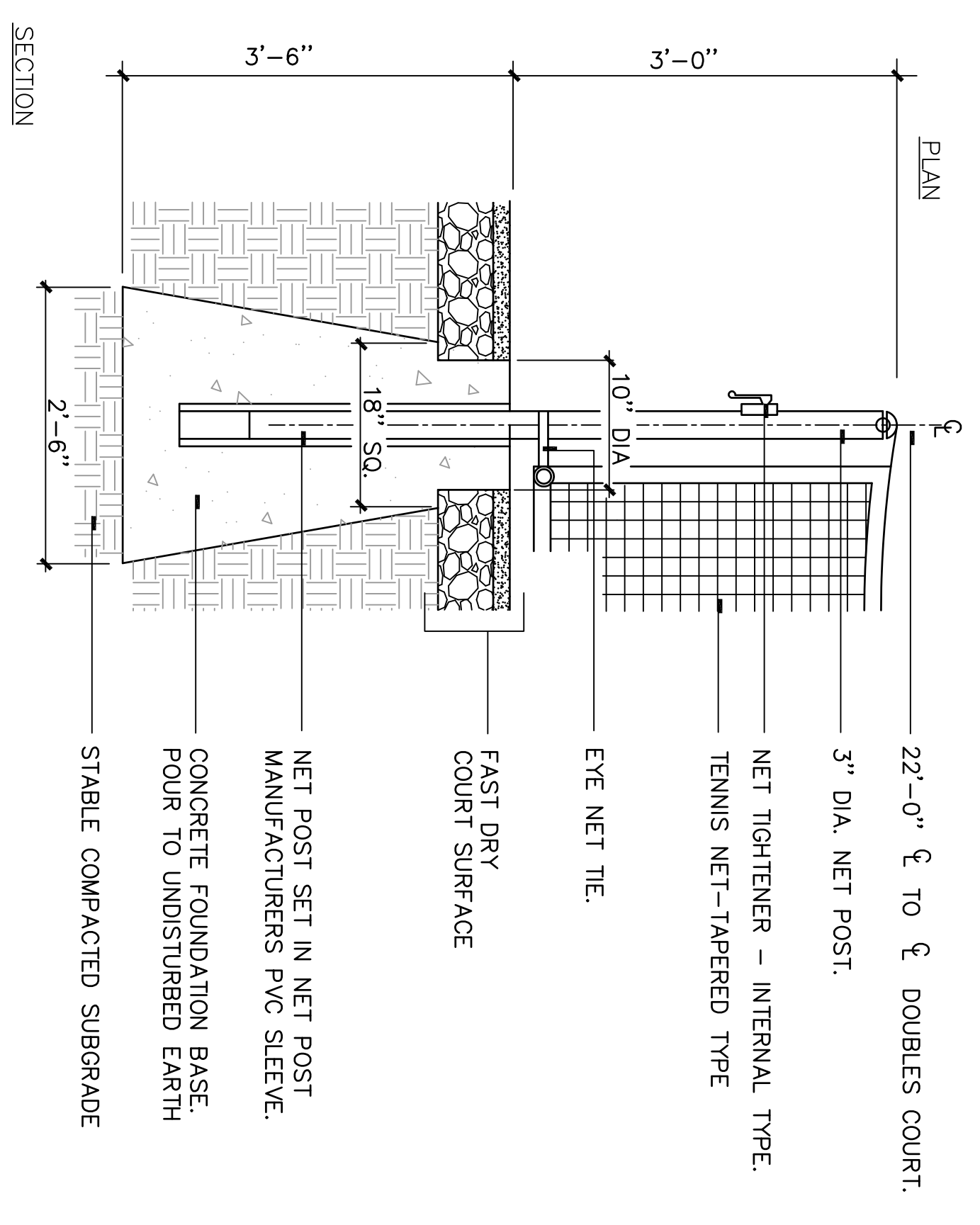
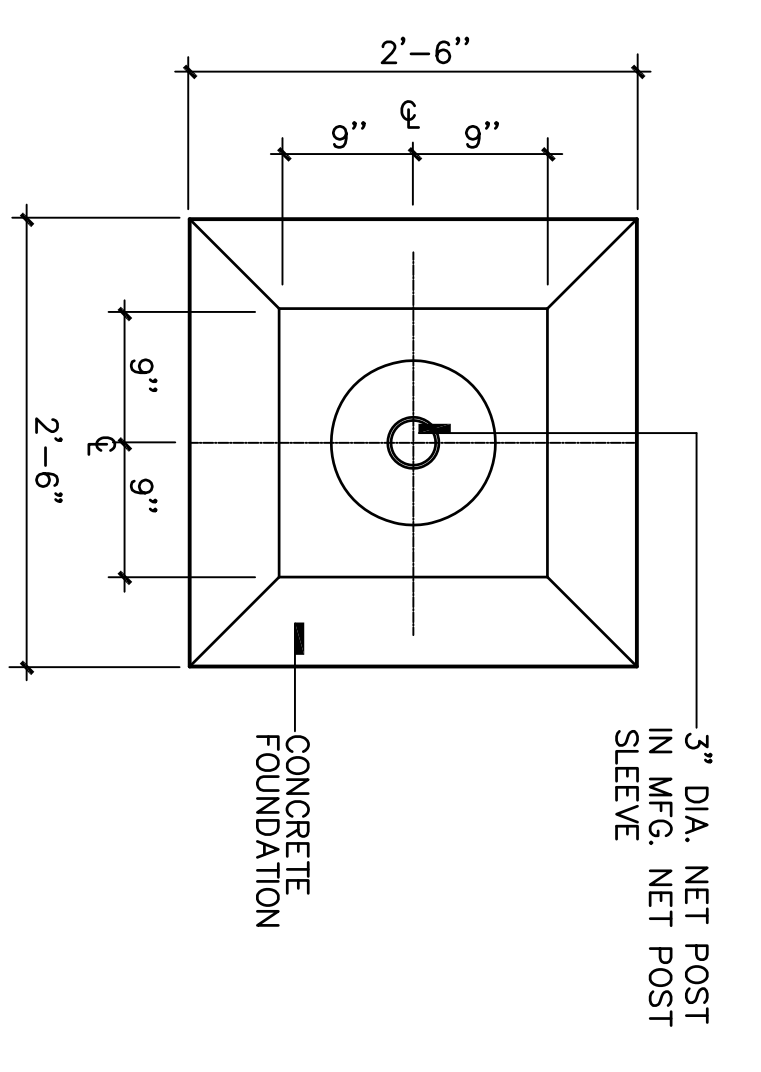
4 NET POST DETAIL - 36 FOOT COURT  
T-7 NOT TO SCALE



10 ELEVATION ENLARGEMENT DOUBLE TOP RAIL FENCE  
T-7 NOT TO SCALE



7 FAST DRY COURT SECTION  
T-7 NOT TO SCALE



PROJECT NAME:  
**36 FOOT TENNIS - CLAY COURTS**

UNITED STATES TENNIS ASSOCIATION  
70 WEST RED OAK LANE  
WHITE PLAINS, NEW YORK 10604  
DAVID W. LASOTA, TENNIS FACILITY CONSULTANT  
VIRGIL CHRISTIAN, DIRECTOR, COMMUNITY TENNIS DEVELOPMENT  
(914) 897-2366

DRAWING DATE: APRIL 20, 2010  
SCALE: AS SHOWN  
DRAWING NAME: T-7 COURT DETAILS - ABOVE-GROUND IRRIGATION  
DRAWN BY: DWL  
CHECKED BY: VHC