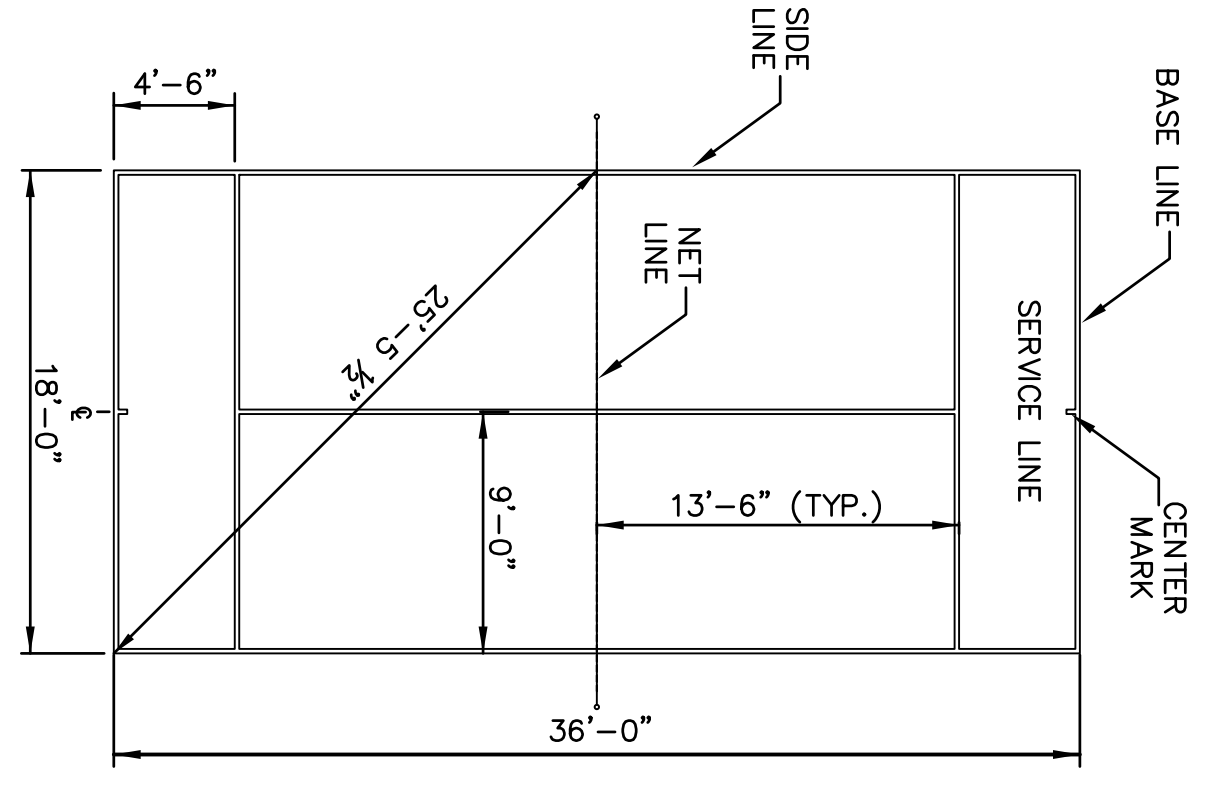
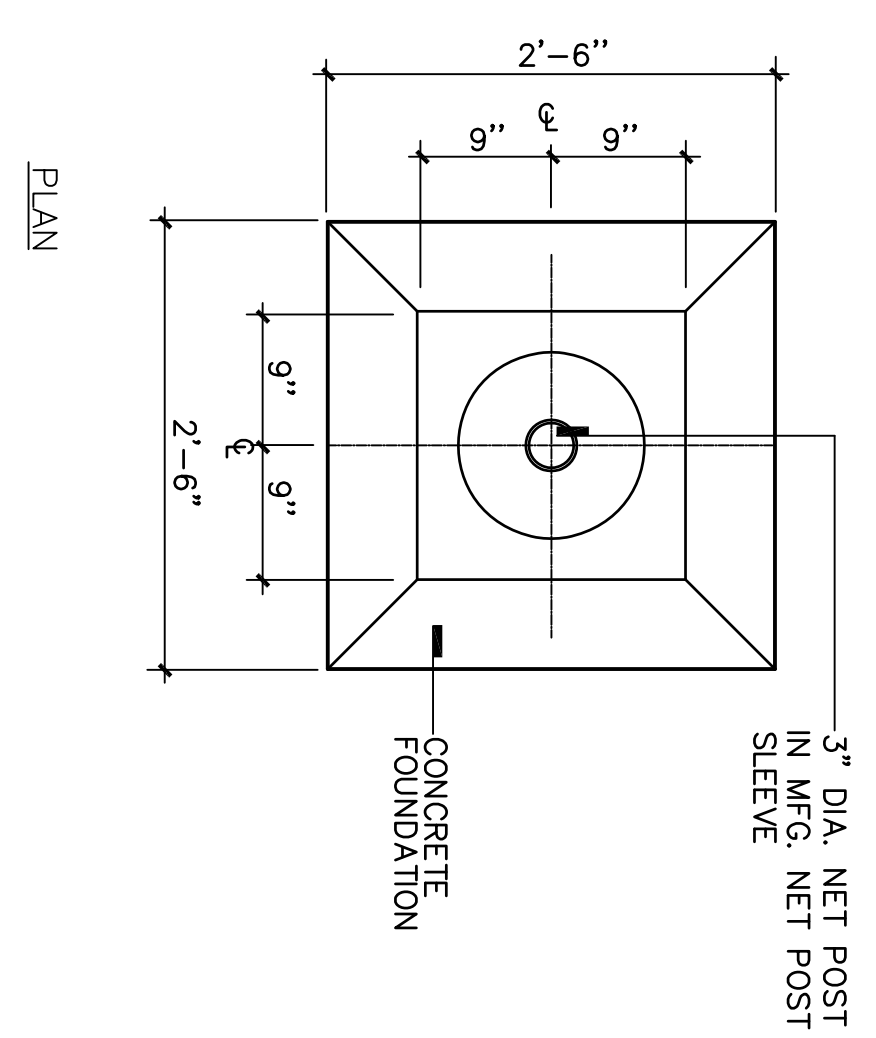


1 78 FOOT COURT CONVERSION
T-4 NOT TO SCALE

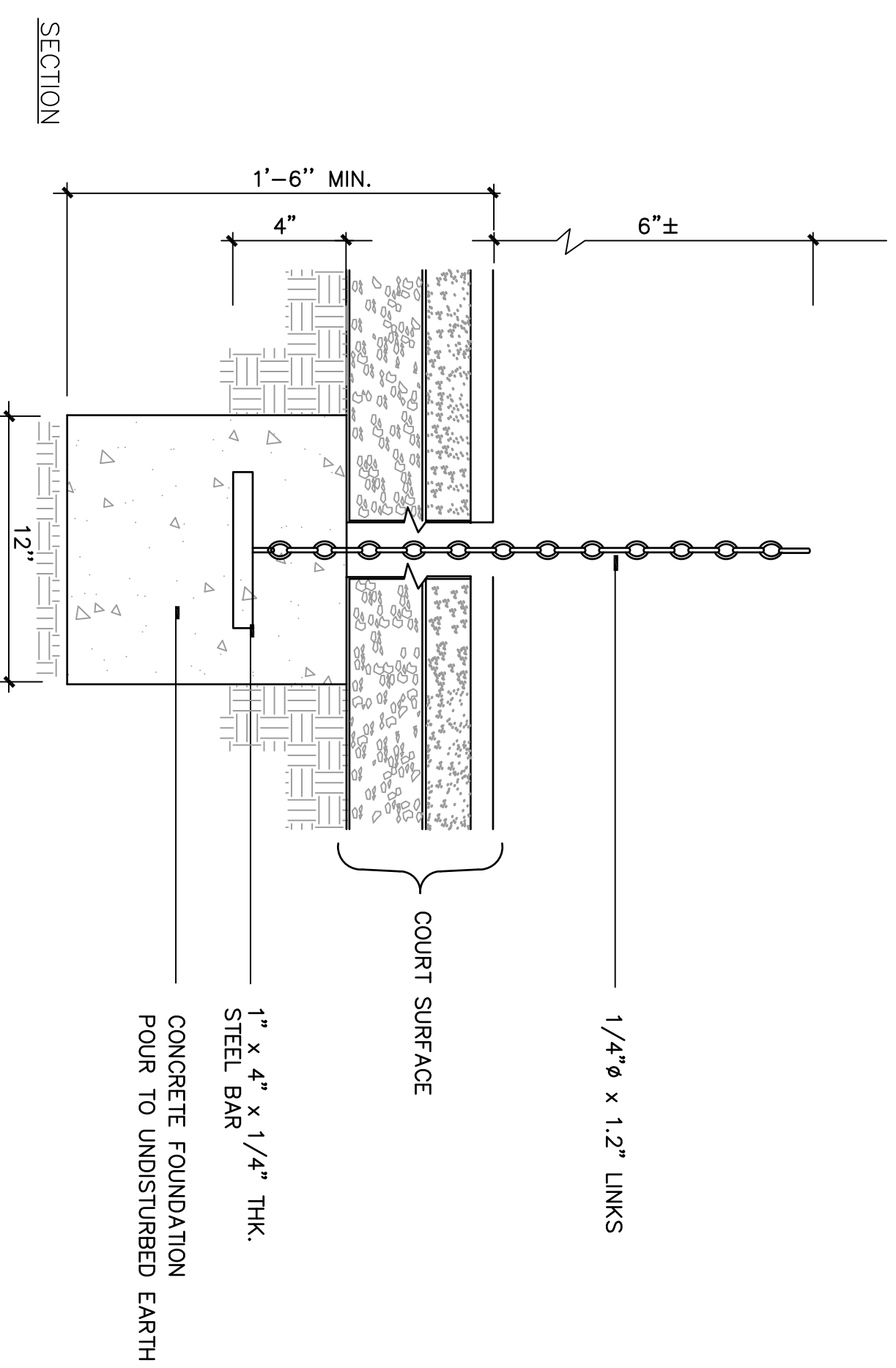
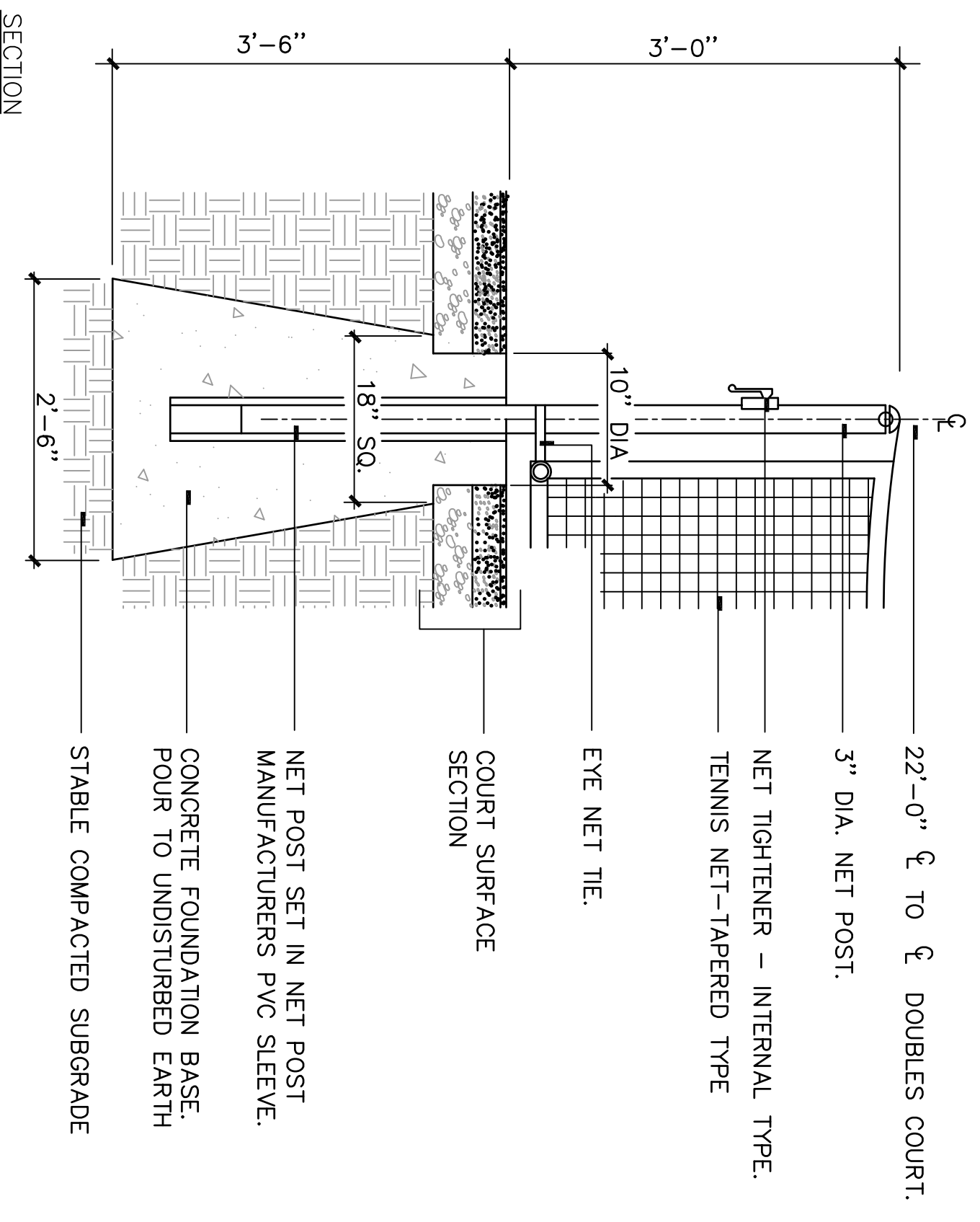


2 36 FOOT QUICKSTART COURT LINE LAYOUT
T-4 NOT TO SCALE

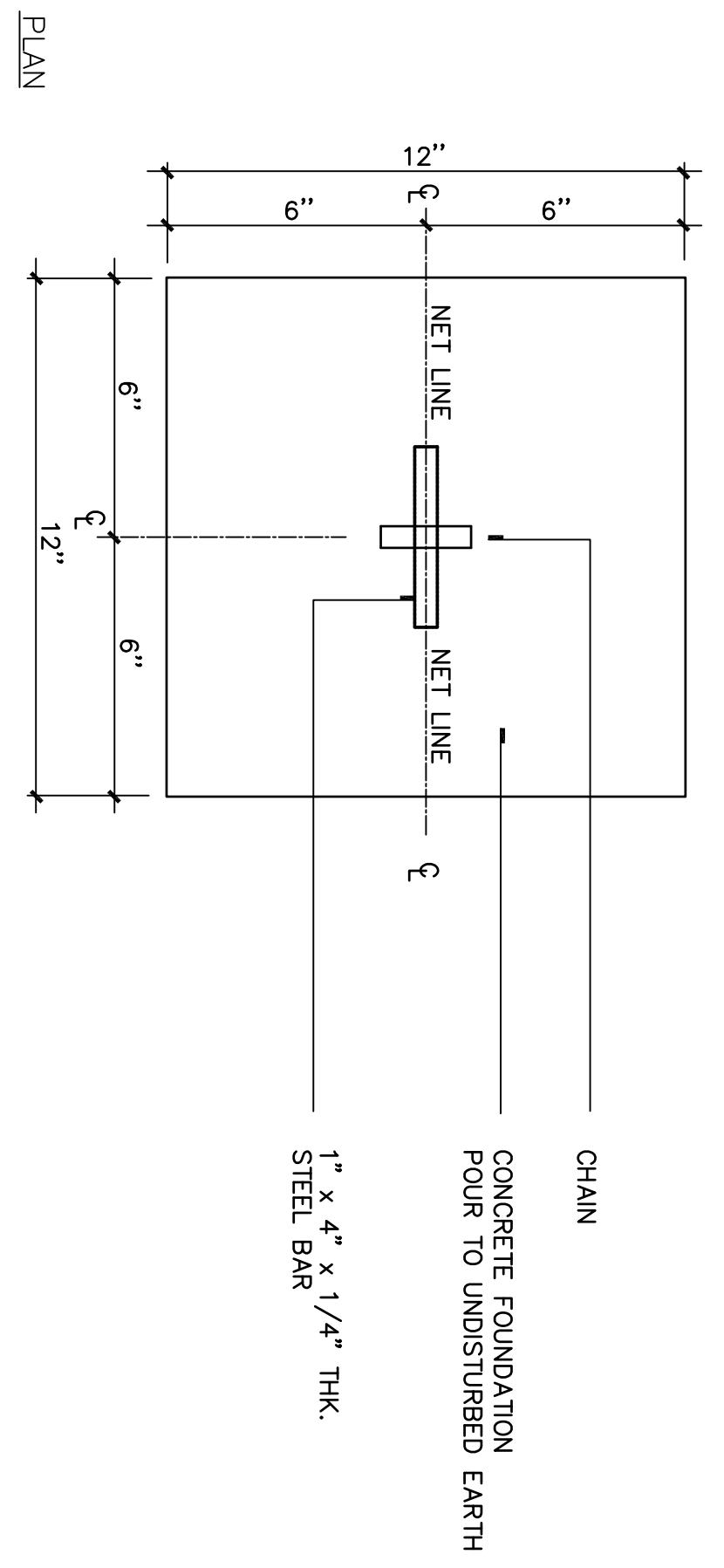
- NOTES:
1. ALL 36 FOOT COURT PLAYING LINES SHALL BE 2" WIDE.
 2. ALL 36 FOOT COURT LINES SHALL BE MEASURED TO THE OUTSIDE EDGE OF THE LINES, WITH THE EXCEPTION OF THE CENTER LINES WHICH SHALL BE MEASURED OUT TO CENTER.
 3. NET POSTS SHALL BE SET 22 FEET APART, MEASURED FROM THE CENTER OF EACH POST. THE NET SHALL MEASURE 36 INCHES AT THE NET POST AND 33 INCHES AT THE CENTER OF THE COURT.



4 NET POST DETAIL - 36 FOOT COURT
T-4 NOT TO SCALE



3 CENTER STRAP ANCHOR DETAIL
T-4 NOT TO SCALE



PROJECT NAME:
36 FOOT TENNIS - CLAY COURTS

UNITED STATES TENNIS ASSOCIATION
70 WEST RED OAK LANE
WHITE PLAINS, NEW YORK 10604
DAVID W. LASOTA, TENNIS FACILITY CONSULTANT
VIRGIL CHRISTIAN, DIRECTOR, COMMUNITY TENNIS DEVELOPMENT
(914) 897-2366

DRAWING DATE: AUGUST 28, 2009
DRAWN BY: DWL
SCALE: AS SHOWN
CHECKED BY: VHC
DRAWMAN NAME: DWL
T-4 COURT DETAILS - EXISTING COURT CONVERSION